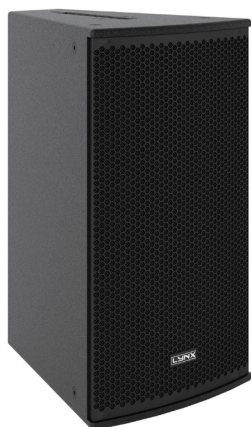


High performance, ultra-compact, full range, two way bi-amp/ passive cabinet. It consists of a 12" transducer and a 1.4" high frequency compression driver.



### Key features

- Versatile sound reinforcement
- High performance
- Coverage 60° x 40° or 90° x 60°, rotatable horns
- ARK processor optimised preset
- Precise band pass directivity control
- Multiple rigging and mounting options

### Applications

- Club & bar installations
- Sound reinforcement
- Theatres
- Houses of worship
- Conferences
- Public address

## General description & specifications

High performance, ultra-compact, full range, two way bi-amp/ passive cabinet. It consists of a 12" transducer and a 1.4" high frequency compression driver.

They offer 2 dispersion options. The model HR-1264/7 provides a narrow dispersion of 60° x 40° (rotatable) and the model HR-1296/7 offers a wide dispersion of 90° x 60° (rotatable). 129dB SPL (1400W program).

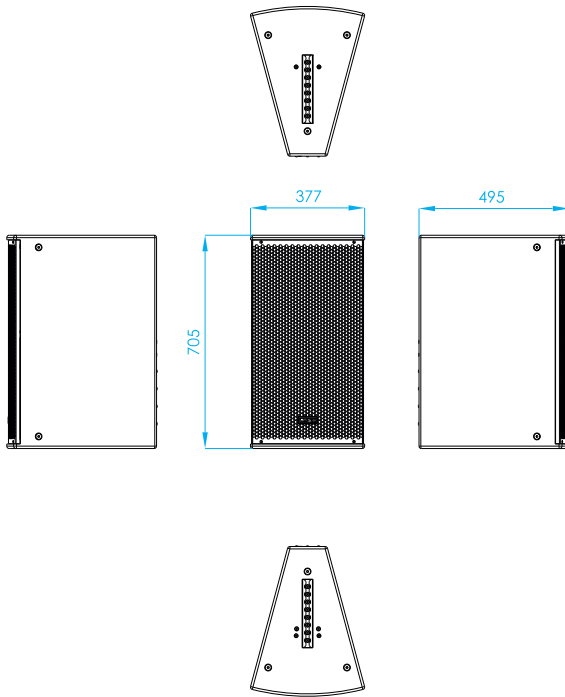
This cabinet is ideal for a wide variety of applications and has a range of accessories that facilitate its assembly. Although this cabinet can be used without a processor, we strongly recommend that the cabinet presets are applied for maximum optimization and performance.

For Low Frequency reinforcement, several subwoofer options are available.

## Technical Data

<b>Components</b>	
• LF	12", 3.5" aluminium voice coil, waterproof front side cone treatment, neodymium magnet
• HF	1.4" Exit compression Driver, 2.5" aluminium voice coil, Titanium diaphragm
<b>Frequency range</b>	59 Hz – 20 KHz (-10dB)
<b>Frequency response</b>	65 Hz – 18 KHz (± 3dB)
<b>Sensitivity</b>	Passive Mode: 94 dB (1W@1m)
<b>Max SPL</b>	Passive Mode: 123dB – 129dB Peak Bi-Amp LF: 125dB – 131dB Peak Bi-Amp HF: 127dB – 133dB Peak
<b>Coverage Angle</b>	Constant directivity horn (Rotatable) 90° x 60° (HR-1296/7) / 60° x 40° (HR-1264/7)
<b>Power</b>	Passive mode: 700 W (1400 W program, 2800 W peak) Bi- Amp LF: 700 W (1400 W program, 2800 W peak) Bi-Amp HF: 80 W (160 W program, 320W peak)
<b>Crossover</b>	Bi-amp / Passive (Selectable)
<b>Nominal impedance</b>	8 Ω Passive / Bi-amp LF 8 Ω, HF 8 Ω
<b>Connectors</b>	2 x Neutrik Speakon NL4MP
<b>Finish</b>	Polyurea coating - other colours (RAL) available
<b>Material</b>	15 mm premium birch plywood
<b>Dimensions</b>	705 x 377 x 495 mm (H x W x D)
<b>Weight</b>	26 Kg (57 lbs)

### Dimensional Drawing



### Accessories

	AGR-10	Eye bolt for HR 1264/7 & HR 1296/7 cabinets
	SC-FC1	Lightweight install stud for HR 1264/7 & HR 1296/7
	SC-FC2	Heavyweight install stud for HR 1264/7 & HR 1296/7
	CS-HR1215	Cluster support for HR 1264/7 & HR 1296/7 cabinets
	WB-30	Wall bracket for HR 1264/7 & HR 1296/7 cabinets
	UBR-HR12	Horizontal U bracket for HR HR 1264/7 & HR 1296/7 cabinets

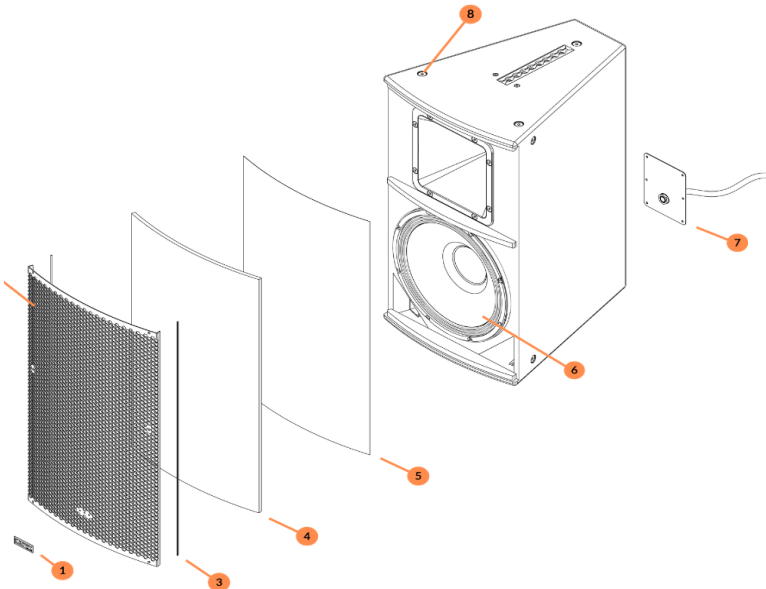


NOTE: This cabinet is compatible with König & Meyer 195/8 mounting adapter for speaker stands with tube diameter 35 mm. This accessory is not provided by Lynx Pro Audio.

### Weather-resistant version

Our Weather-resistant speakers are designed to withstand harder weather conditions, where the cabinets are exposed to the elements.

**Colours:** Black polyurea coating with microtextured metal parts. RAL available on request. Polyurea coating with aliphatic colour paint.



1. Anodized aluminium logo for durability outdoors.
2. Stainless steel 1 mm 316 L grill. Also available in aluminum with protective layer and micro textured paint.
3. Weatherstrip edging for extreme protection.
4. Acoustex filter: hydrophobic polyester sheet to prevent the penetration of water and external elements produced by extreme weather conditions.
5. 35 ppi Acoustic foam to protect against dust particles.
6. Waterproof protected cone on both sides
7. Aluminum back plate with pressure gland for an extra tight connection and easy installation.
8. M10 stainless steel 316 L screws (A4).