

High Output, self powered (class D switch mode power supply with PFC), constant curvature line array element. 12" LF speaker next to a custom Multidriver waveguide system. 128 dB SPL.



### Key features

- Class D Powered
- Integrated Digital Processing
- Internal temperature control
- Electronic protection
- FIR linear phase filtering
- Online monitoring available
- Two way active system

### Applications

- Live events
- Houses of worship
- Fixed installations
- Clubs
- Theatres
- Touring

## General description & specifications

The CXA-12 enclosure is a constant curvature line array element designed for multiple configurations, with a maximum of 4 enclosures.

The CXA-12 uses one 12" LF/MF speaker next to a custom Multidriver waveguide system. The enclosure is self-powered with a total of 1400W (Class D, witch mode power supply), with PFC system and DSP processor with linear phase FIR filters.

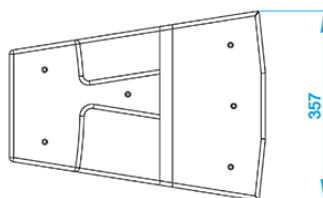
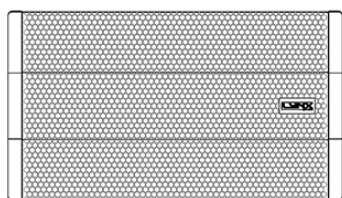
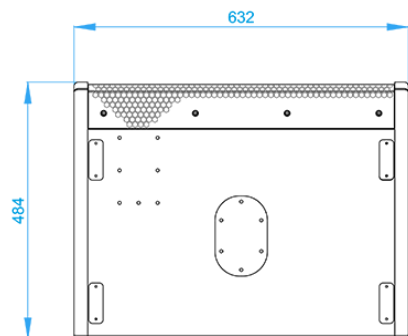
It is ideal for a wide variety of applications, its design allows you to configure installations with symmetrical dispersion or fly the boxes vertically. The enclosure has a complete range of accessories that facilitate its use both in touring as in fixed installations.

For low frequency support the CXA-18S subwoofer is also available, either to be flown or stacked with the CXA-12 without the need for any rigging accesories.

## Technical Data

<b>Components</b>	
• LF:	LF: 12", 2.5" voice coil, Malt Cross Cooling System
• HF:	HF: custom Multidriver system with wave guide, 1.4" aluminium voice coil with titanium diaphragm
<b>Frequency range</b>	60 Hz - 20 KHz (-10dB)
<b>Frequency response</b>	70 Hz - 18 KHz (± 3dB)
<b>Max SPL</b>	128 dB
<b>Coverage angle</b>	100° H x 18° V
<b>Power</b>	1400 W Class D with switching power supply & PFC LF amplifier: 2 x 800 W HF amplifier: 1 x 600 W
<b>Processing</b>	48 KHz / 56 bit double precision DSP with FIR filters
<b>Control</b>	User control interface with LCD
<b>Control connections</b>	Ethernet (OCS) optional / USB (DSP programming)
<b>AC Power</b>	90 - 264V. 50/60 Hz with PFC
<b>AC Connectors</b>	16A Neutrik powercon true1 with looping output
<b>Finish</b>	Polyurea coating, high grade resistant paint
<b>Material</b>	15 mm Premium birch plywood
<b>Dimensions</b>	357 x 632 x 484 mm (H x W x D)
<b>Weight</b>	31 Kg (68 lbs)

## Dimensional Drawing



## Accessories

	<b>BALL-PSR6</b>	Ball pin with thread for CXA-12 and CXA-18S cabinets
	<b>SV-CXA</b>	Flying frame for the CXA-12 with a capacity for rigging of up to 6 cabinets
	<b>TU-C01</b>	35mm connecting pole for satellite combination between sub units and CXA-12
	<b>TU-C02</b>	M20 pole support combination between sub units and CXA-12 with safety lock
	<b>SB-02</b>	35mm lightweight aluminium stand for the CXA-12
	<b>FD-1CXA12NL</b>	Rain cover for the back panel of the CXA-12
	<b>FC-3CXA12</b>	Flight case to transport three CXA-12
	<b>UBR-CXA12</b>	Ceiling Bracket for CXA-12
	<b>ST-CXA12</b>	0° stack adaptor for either the CXA-12 or the CXA-18S together with CXA-12