

High performance, ultra-compact, full range, versatil sound reinforcement, 90° x 60°, 60° x 40°, 120° x 40° rotatable cabinet. It offers 125 dB SPL (600 W program).



Key features

- Ultra-compact & versatile
- Weather resistant speaker
- Indoor / outdoor application
- High performance
- 90° x 60° wide dispersion
- ARK processor optimised preset
- Multiple rigging / mounting options
- Optional line transformer
- Available in RAL colour by request

Applications

- Club & bar installations
- Sound reinforcement
- Theatres
- Houses of worship
- Multi media spaces
- Public address

General description & specifications

Passive ultra compact, lightweight and very versatile enclosure especially designed for outdoor applications. It consists of a 8" weather proof cone with treatment on both sides of the cone and a 1" high frequency compression driver. It offers 125 dB SPL (600 W program). Line transformer optional.

It is an excellent solution for all types of fixed installations and has a complete range of accessories to provide an easier installation. Although this cabinet can be used without a processor, we strongly recommend that the cabinet presets are applied for maximum optimization and performance.

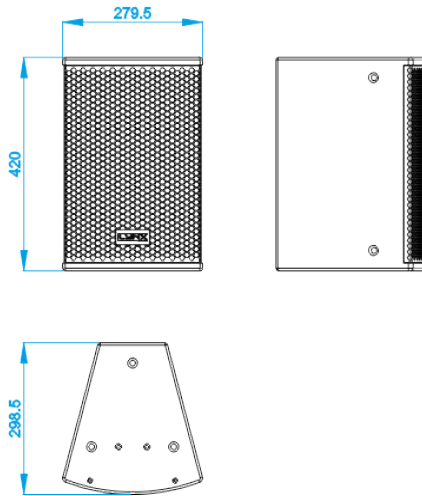
This is a weather resistant speaker, designed to withstand harder weather conditions, where the cabinets are exposed to the elements.

For Low Frequency reinforcement, several subwoofer options are available.

Technical Data

Components	
• LF	1 x 8" weather proof cone with treatment on both sides of the cone - 2" aluminum voice coil kapton cone
• HF	1" Exit compression Driver , 1.75" aluminium voice coil, Polyester diaphragm
Frequency range	55 Hz - 18 KHz (-10dB)
Frequency response	65 Hz - 18 KHz (± 3dB)
Sensitivity	98 dB (1W@1m)
Max SPL	122 dB - 128 dB Peak
Coverage Angle	90° x 60°, 60° x 40°, 120° x 40° rotatable
Power	300 W (600 W program, 1200 W peak)
Operating Mode	8 Ω / Optional 100 V: 150 W / 75 W / 35 W selectable
Crossover	Passive / Active
Nominal impedance	Passive: 8 Ω - Bi-amp: Low 8 Ω High 8 Ω (No L100 V)
Connectors	In: Euroblock terminal or ceramic terminal optional Out: Cable gland
Finish	Polyurea coating / Aliphatic finish for RAL colour
Material	15 mm premium birch plywood
Dimensions	420 x 274 x 298 mm (H x W x D)
Weight	12 Kg (26.4 lbs)

Dimensional Drawing



Accessories

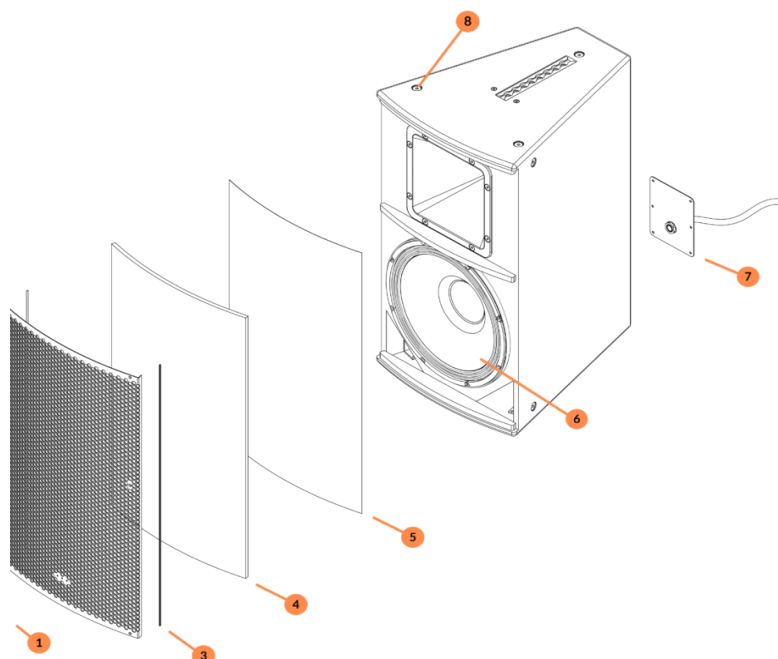
	UBR-HR8	U bracket for HR-8
	WB-20/2	Wall bracket for HR-8
	AGR-6	M6 eye bolt for HR-8

Marine Grade Option

This cabinet is also available for Marine environments, such as cruise ships for example. Our Marine option speakers are designed to withstand harder weather conditions, where the cabinets are exposed to the elements.

Colours:

Black polyurea coating with microtextured metal parts. RAL available on request. Polyurea coating with aliphatic colour paint.



1. Anodized aluminium logo for durability outdoors.
2. Stainless steel 1 mm 316 L grill. Also available in aluminum with protective layer and micro textured paint.
3. Weatherstrip edging for extreme protection.
4. Acoustex filter: hydrophobic polyester sheet to prevent the penetration of water and external elements produced by extreme weather conditions.
5. 35 ppi Acoustic foam to protect against dust particles.
6. Waterproof protected cone on both sides
7. Aluminum back plate with pressure gland for an extra tight connection and easy installation.
8. M10 stainless steel 316 L screws (A4).