

Ultra-compact, self powered (class D switch mode power supply with PFC), omni-directional subwoofer cabinet.



Key features

- Compact & versatile
- Powered with Class D
- DSP presets for wide applications
- Easy to use, easy to install
- Portable
- Available in black or white

Applications

- PA system
- Clubs & theatres
- Houses of worship
- Solo artists, band, DJ
- Public address
- Commercial complex

General description & specifications

The Ionic-12S is a powered subwoofer enclosure part of the Ionic series. The Ionic cabinets are compact, modular and powerful and the complete series includes two subwoofers and two column models.

The power module (Class D with switching power supply) includes a Digital Signal Processor which offers different presets to cover a wide range of sound applications complementing the column speakers.

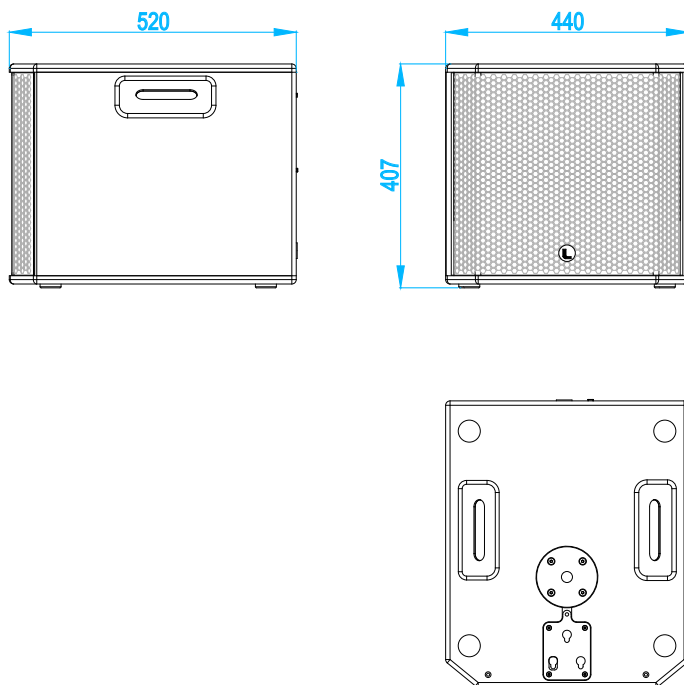
The Ionic-12S uses 1 x 12" (3" voice coil) neodymium transducers offering an ultra compact subwoofer enclosure with 127dB SPL.

Ionic-12S provides quick and easy set ups for both fixed installations and portable applications.



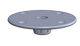

Technical Data

Components	1 x 12" speaker with 3" voice coil
Frequency range	40 Hz - 250 Hz (-10dB)
Frequency response	46 Hz - 250 Hz (± 3dB)
Max SPL	127 dB
Coverage	Omnidirectional
Power	1400W Class D with switching power supply & PFC LF amplifier: 1 x 700 W
Speaker Output Amplifier	1 x 700 W @ 8 Ω
Processing	48 KHz / 56 bit double precision DSP
Control	User control interface with LCD
Control Connections	Ethernet (OCS) optional / USB (DSP programming)
AC Power	85 – 270V. 50/60 Hz with PFC
AC Connections	16A Neutrik powerCon TRUE1 TOP with looping output
Finish	Polyurea coating, black colour
Material	15 mm premium birch plywood
Dimensions	407 x 440 x 520 mm (H x W x D)
Weight	23 kg (50.6 lbs)

Dimensional Drawing



Accessories

	SV-I2S	Sub adaptor for satellite
	FD-IONIC12S	Nylon Protection Cover for Ionic-12S
	VSM-V2	M20 connector plate for M20 pole support TU-C02
	TU-C02	M20 pole support for combination between sub and satellite cabinet